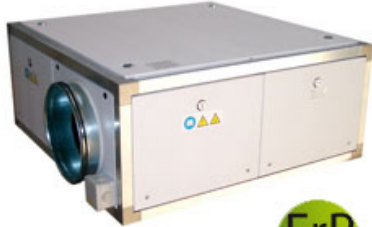


CEPHIRUS 5600 V

Series general data CEPHIRUS

THIS PRODUCT MEETS THE EFFICIENCY VALUES REQUIRED BY ErP 2013/2015

CEPHIRUS
Energy recovery unit with air-air cross flow F7/F7



GENERAL FEATURES:

- Horizontal or vertical compact unit, customizable on site due to removable panels.
- Casing with double skin panels insulated by 25 mm of polyurethane foam with a coefficient of thermal conductivity of 0,023 W/(m.K).
- Static exchanger with cross flow, in aluminium.
- Inlet and outlet filter holder with F7 filter. There is the chance to assemble an additional level inside (F7/F9).

MANUFACTURING FEATURES:

CHASIS:

- Low and extruded anodized aluminium profiles with reinforced corners made of aluminium in horizontal configuration (standard).

CASING:

- Double skin steel panels, white lacquered, sandwiched on injected polyurethane foam insulation, thickness 25mm.
- Panels with silicone seal for outdoors.
- Circular connection with double lip deal made of rubber.
- Pressure taps for measuring the pressure drop and filter clogging.
- Access for lateral and lower side inspection and maintenance.
- Condensates evacuation system.

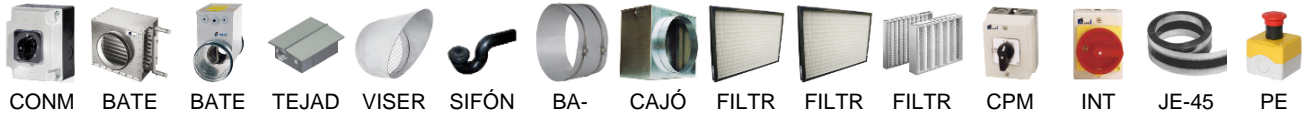
FANS:

- Double inlet centrifugal fans with forward impeller and direct belt-driven motor.
- 4 speeds 230V-1-50Hz: Cephirus 500 and 900.
- 3 speeds 230V-1-50Hz: Cephirus 2000 and 3400.
- 1 speeds 400V-3-50Hz: Cephirus 4500 and 5600.

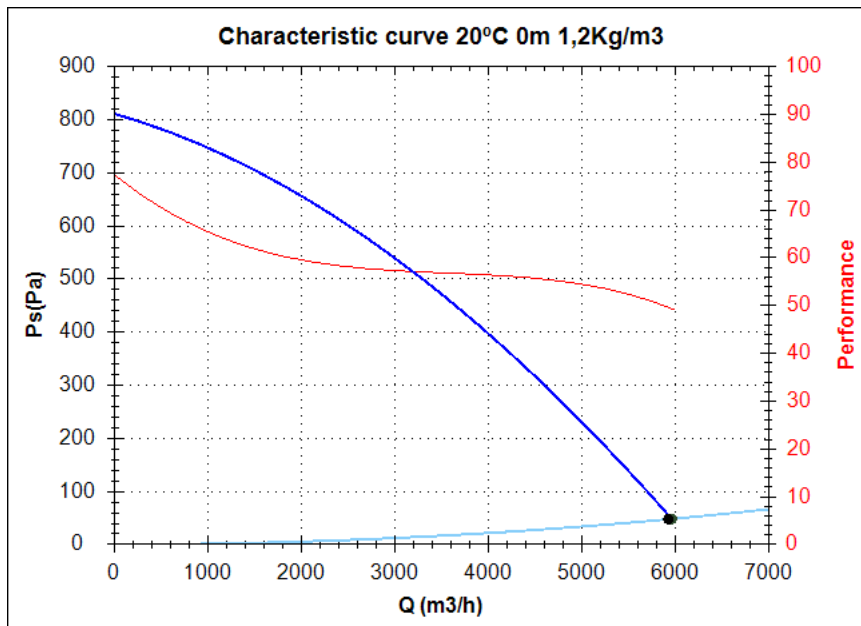
PLATES EXCHANGER:

- Static exchanger with cross flow in aluminium. Efficiency up to 60%.

Series accessories CEPHIRUS



Characteristic curve



Design point

| | |
|----------|---------|
| Q (m3/h) | 5929,48 |
| Ps(Pa) | 47,78 |

Service point

| | |
|----------------|-------------|
| Impeller rpm | |
| Max. temp.(°C) | 50 |
| Q (m3/h) | 5964,18 |
| Ps(Pa) | 48,34 |
| Pd(Pa) | 79,91 |
| Pt(Pa) | 128,24 |
| Air speed(m/s) | 11,54 |
| Perf.(%) | 49,40 |
| SWL dB(A) | 85 (INDUCT) |
| SPL dB(A) | 71 (INDUCT) |
| Distance(m) | 1,5 |

Technical data

| | |
|-------------------------|------|
| Impeller rpm | |
| Motor rpm | 1500 |
| Approx. weight(kg) | 176 |
| Maximum flow rate(m3/h) | 6000 |

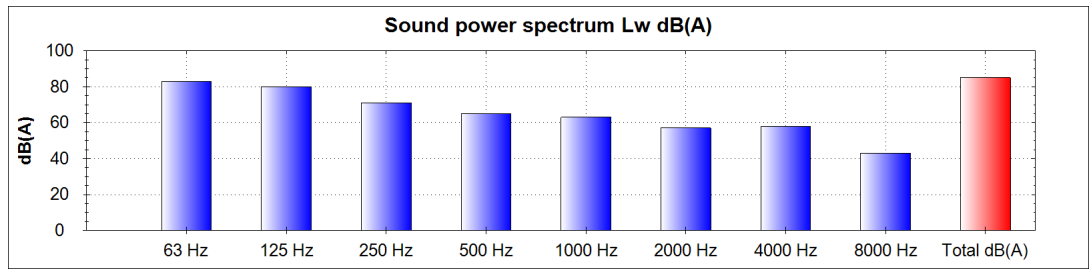
| | |
|--------------|-------|
| Power(kW) | 1,5x2 |
| Imax 230V(A) | - |
| Imax 400V(A) | 5,2x2 |
| Imax 690V(A) | - |

CEPHIRUS 5600 V

Acoustics to the service point (INDUCT)

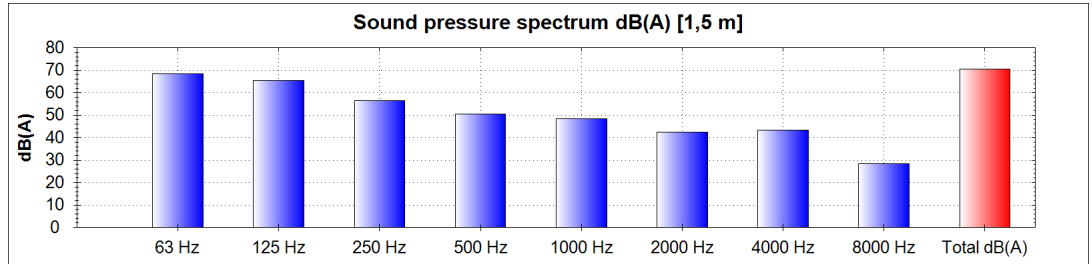
Power dB(A)

| | |
|-------------|----|
| 63 Hz | 83 |
| 125 Hz | 80 |
| 250 Hz | 71 |
| 500 Hz | 65 |
| 1000 Hz | 63 |
| 2000 Hz | 57 |
| 4000 Hz | 58 |
| 8000 Hz | 43 |
| Total dB(A) | 85 |



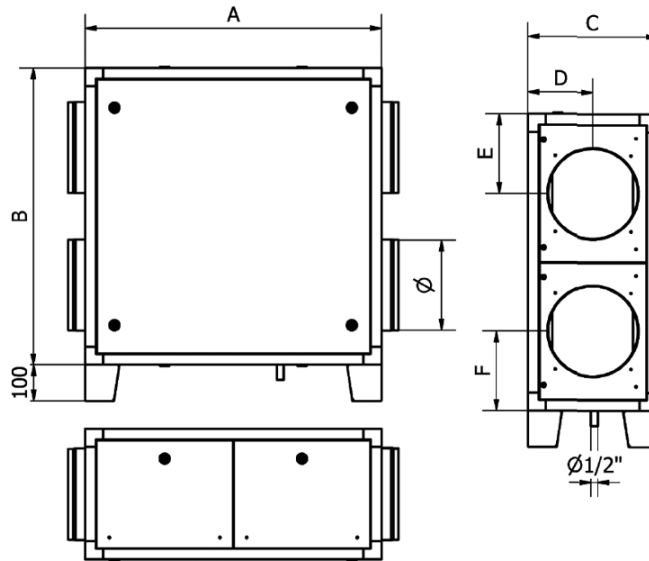
Pressure dB(A) [1,5 m]

| | |
|-------------|----|
| 63 Hz | 68 |
| 125 Hz | 65 |
| 250 Hz | 56 |
| 500 Hz | 50 |
| 1000 Hz | 48 |
| 2000 Hz | 42 |
| 4000 Hz | 43 |
| 8000 Hz | 28 |
| Total dB(A) | 71 |



dimensions diagram

• Vertical configuration / Configuración vertical



Dimensions (mm)

| | | | | | | |
|--------|--------|-------|---------|-------|-------|-------|
| A=1300 | B=1200 | C=855 | D=427,5 | E=305 | F=305 | Ø=450 |
|--------|--------|-------|---------|-------|-------|-------|

Wiring diagram



TM => NC contact, open when motor is over-heated
 TM => Contacto NC, apertura si el motor se sobre-calienta