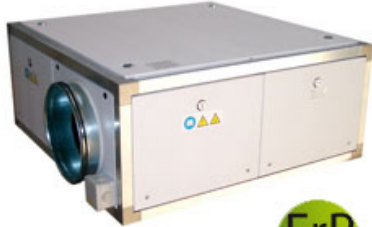


CEPHIRUS 900 V + BP

Series general data CEPHIRUS

THIS PRODUCT MEETS THE EFFICIENCY VALUES REQUIRED BY ErP 2013/2015

CEPHIRUS
Energy recovery unit with air-air cross flow F7/F7



GENERAL FEATURES:

- Horizontal or vertical compact unit, customizable on site due to removable panels.
- Casing with double skin panels insulated by 25 mm of polyurethane foam with a coefficient of thermal conductivity of 0,023 W/(m.K).
- Static exchanger with cross flow, in aluminium.
- Inlet and outlet filter holder with F7 filter. There is the chance to assemble an additional level inside (F7/F9).

MANUFACTURING FEATURES:

CHASIS:

- Low and extruded anodized aluminium profiles with reinforced corners made of aluminium in horizontal configuration (standard).

CASING:

- Double skin steel panels, white lacquered, sandwiched on injected polyurethane foam insulation, thickness 25mm.
- Panels with silicone seal for outdoors.
- Circular connection with double lip deal made of rubber.
- Pressure taps for measuring the pressure drop and filter clogging.
- Access for lateral and lower side inspection and maintenance.
- Condensates evacuation system.

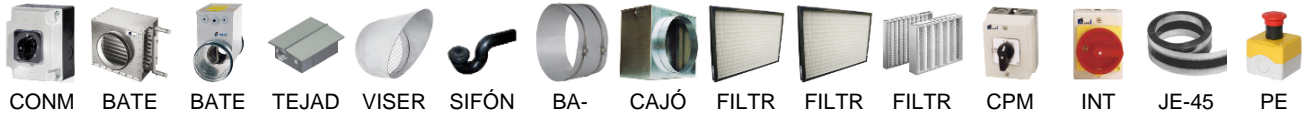
FANS:

- Double inlet centrifugal fans with forward impeller and direct belt-driven motor.
- 4 speeds 230V-1-50Hz: Cephirus 500 and 900.
- 3 speeds 230V-1-50Hz: Cephirus 2000 and 3400.
- 1 speeds 400V-3-50Hz: Cephirus 4500 and 5600.

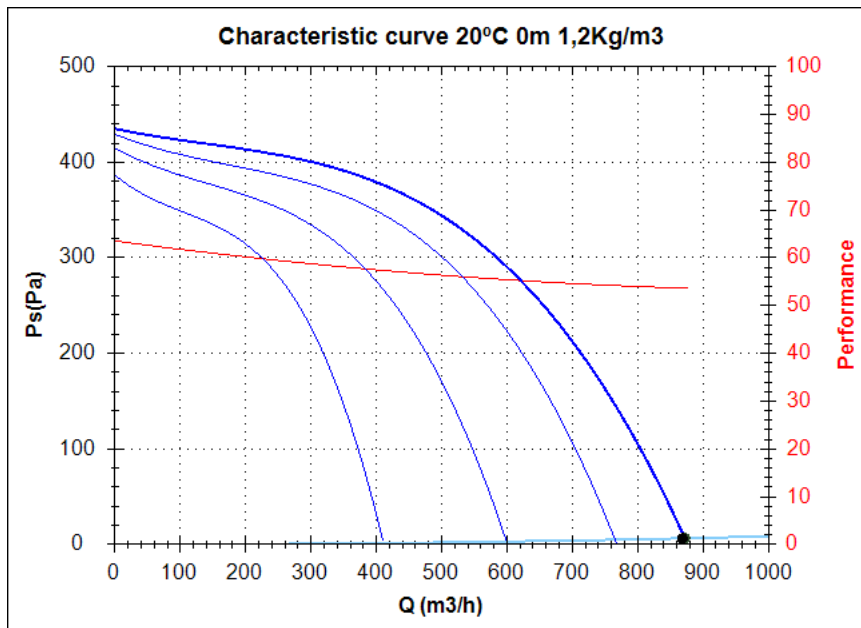
PLATES EXCHANGER:

- Static exchanger with cross flow in aluminium. Efficiency up to 60%.

Series accessories CEPHIRUS



Characteristic curve



Design point

Q (m3/h)	868,37
Ps(Pa)	6,5

Service point

Impeller rpm	V4
Max. temp.(°C)	50
Q (m3/h)	872,42
Ps(Pa)	6,56
Pd(Pa)	14,62
Pt(Pa)	21,18
Air speed(m/s)	4,94
Perf.(%)	53,64
SWL dB(A)	56 (INDUCT)
SPL dB(A)	41 (INDUCT)
Distance(m)	1,5

Technical data

Impeller rpm	V4
Motor rpm	3000
Approx. weight(kg)	56
Maximum flow rate(m3/h)	410/880

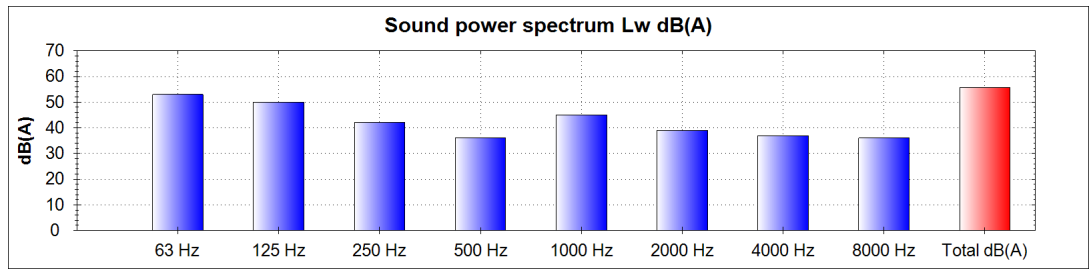
Power(kW)	0,355x2
Imax 230V(A)	1,55x2
Imax 400V(A)	-
Imax 690V(A)	-

CEPHIRUS 900 V + BP

Acoustics to the service point (INDUCT)

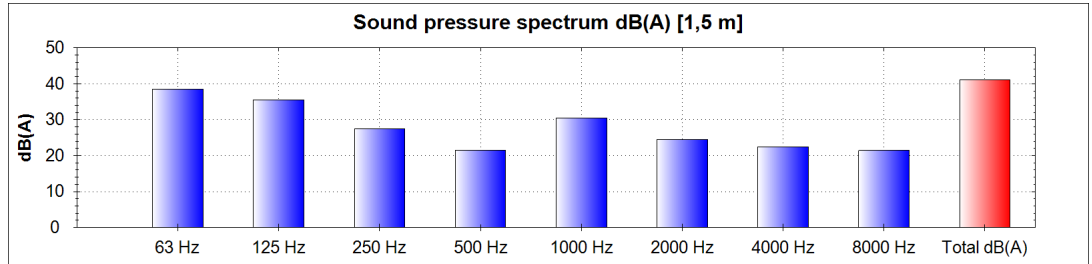
Power dB(A)

63 Hz	53
125 Hz	50
250 Hz	42
500 Hz	36
1000 Hz	45
2000 Hz	39
4000 Hz	37
8000 Hz	36
Total dB(A)	56



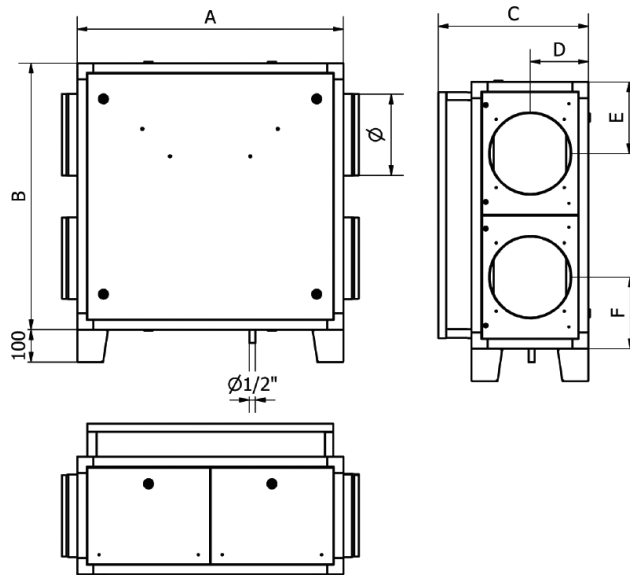
Pressure dB(A) [1,5 m]

63 Hz	38
125 Hz	35
250 Hz	27
500 Hz	21
1000 Hz	30
2000 Hz	24
4000 Hz	22
8000 Hz	21
Total dB(A)	41



dimensions diagram

- Vertical configuration with bypass / Configuración vertical con bypass



Dimensions (mm)

A=820	B=820	C=465	D=180	E=220	F=220	Ø=250
-------	-------	-------	-------	-------	-------	-------

Wiring diagram

