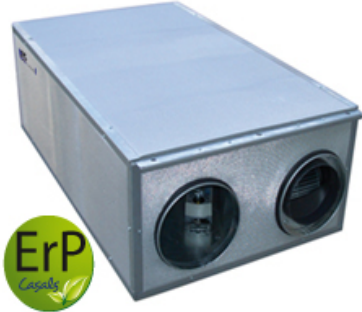


CEPHIRUS LP 1600 V + BP

Series general data CEPHIRUS LP

THIS PRODUCT MEETS THE EFFICIENCY VALUES REQUIRED BY ErP 2013/2015

CEPHIRUS LP
Low profile energy recovery unit with cross flow



GENERAL FEATURES:

- Horizontal or vertical compact unit.
- Casing made of galvanized steel.
- Static exchanger with cross flow, in aluminium.
- Inlet and outlet filter holder with F7 filter. There is the chance to assemble an additional level (F7/F9).

MANUFACTURING FEATURES:

- CHASIS
- Made of galvanized aluminium.

CASING:

- Simple skin steel panel 10mm.
- External coating with adhesive thermoacoustic insulating polyethylene thickness 5mm.
- Circular connection with double lip seal made of rubber.
- Pressure taps for measuring the pressure drop and filter clogging.
- Side access for inspection and maintenance.
- Condensates evacuation system.

FANS:

- Double inlet centrifugal fans with forward impeller and direct belt-driven motor.
- 4 speeds 230V-1-50Hz: Cephirus 400 and 800.
- 3 speeds 230V-1-50Hz: Cephirus 1600, 2500 and 3500.

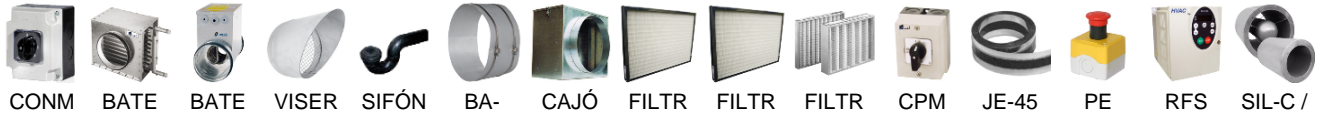
PLATES EXCHANGER:

- Static exchanger with cross flow in aluminium. Efficiency up to 60%.

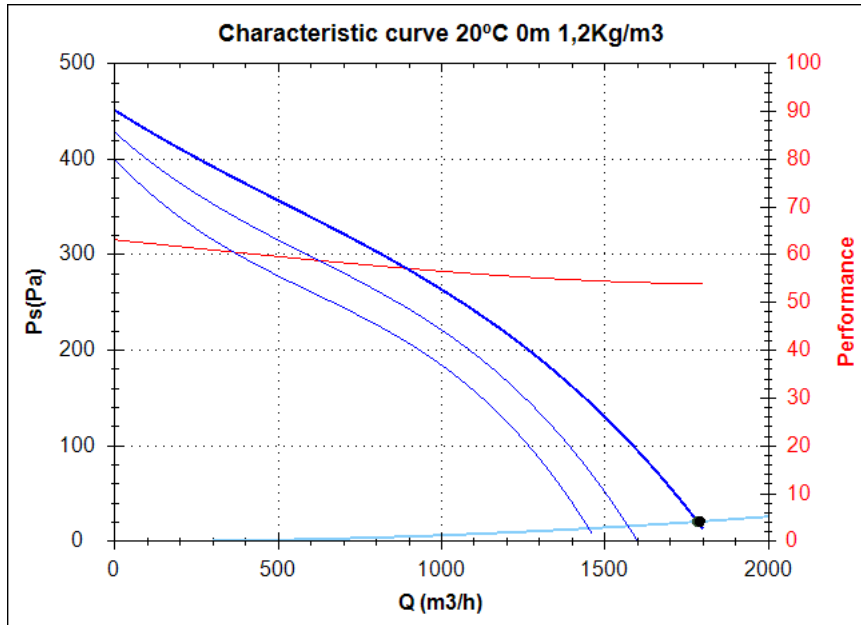
FILTERS:

- F7 filter: polypropylene filtering fabric with low pressure drop (inlet and outlet).

Series accessories CEPHIRUS LP



Characteristic curve



Design point

Q (m ³ /h)	1790
Ps(Pa)	20,98

Service point

Impeller rpm	V3
Max. temp.(°C)	50
Q (m ³ /h)	1783,47
Ps(Pa)	20,82
Pd(Pa)	24,24
Pt(Pa)	45,06
Air speed(m/s)	6,36
Perf.(%)	53,93
SWL dB(A)	64 (INDUCT)
SPL dB(A)	50 (INDUCT)
Distance(m)	1,5

Technical data

Impeller rpm	V3
Motor rpm	
Approx. weight(kg)	135
Maximum flow rate(m ³ /h)	1460/1800

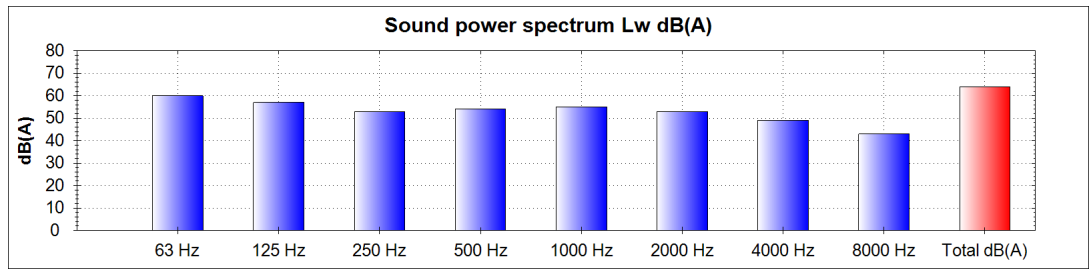
Power(kW)	0,373x2
Imax 230V(A)	2,75x2
Imax 400V(A)	-
Imax 690V(A)	-

CEPHIRUS LP 1600 V + BP

Acoustics to the service point (INDUCT)

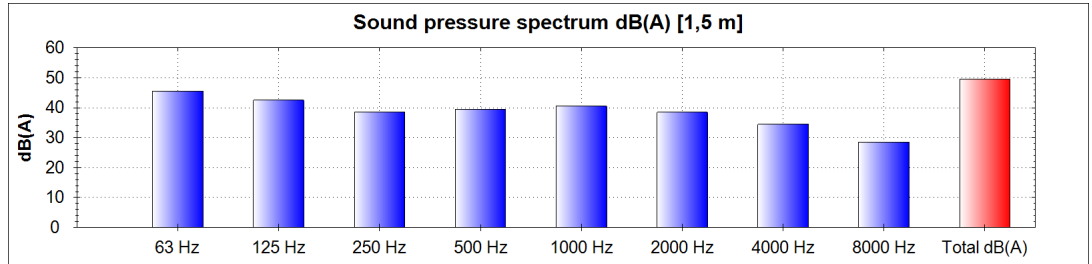
Power dB(A)

63 Hz	60
125 Hz	57
250 Hz	53
500 Hz	54
1000 Hz	55
2000 Hz	53
4000 Hz	49
8000 Hz	43
Total dB(A)	64



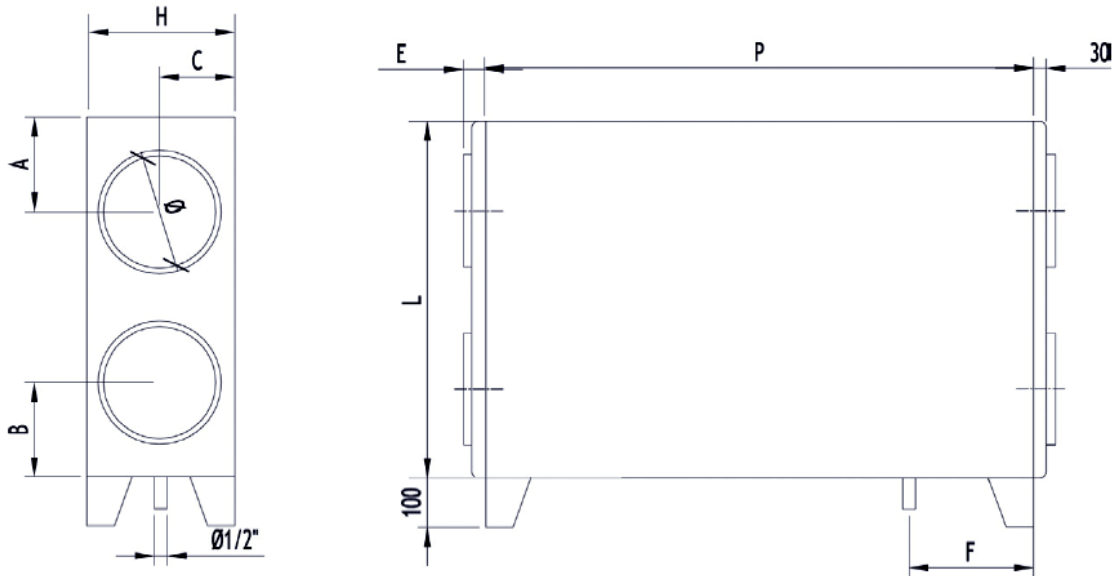
Pressure dB(A) [1,5 m]

63 Hz	45
125 Hz	42
250 Hz	38
500 Hz	39
1000 Hz	40
2000 Hz	38
4000 Hz	34
8000 Hz	28
Total dB(A)	50



dimensions diagram

Vertical configuration / Configuración vertical



Dimensions (mm)

A=225	B=190	C=270	E=50	F=45	H=450	L=820	Ø=315	P=1400
-------	-------	-------	------	------	-------	-------	-------	--------

Wiring diagram

