

# FITTINGS Y-SHAPED T-JOINT

**TMY  
Series**



**TMY...Zn  
Series**



■ **Application**

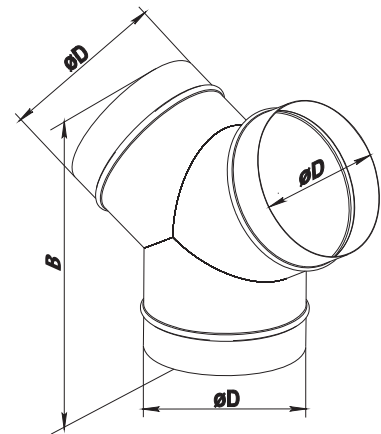
- For branch connections of the air ducts used in residential, public and industrial ventilation systems.
- For connection of various air ducts and their integration into complex ventilation systems.

■ **Design**

- Made of special steel with polymeric coating (**TMY** series) or galvanized steel (**TMY...Zn** series).
- The T-joint is designed for connection of 3 air ducts with the same diameter at 120° angle.
- Ventilation system components are fixed by clamps or any other fixing devices.

■ **Overall dimensions**

Model		Dimensions [mm]	
		D	B
TMY 80	TMY 80 Zn	80	170
TMY 100	TMY 100 Zn	100	190
TMY 110	TMY 110 Zn	110	200
TMY 120	TMY 120 Zn	120	210
TMY 125	TMY 125 Zn	125	215
TMY 130	TMY 130 Zn	130	220
TMY 140	TMY 140 Zn	140	230
TMY 150	TMY 150 Zn	150	240
TMY 160	TMY 160 Zn	160	250
TMY 180	TMY 180 Zn	180	260
TMY 200	TMY 200 Zn	200	300
TMY 250	TMY 250 Zn	250	350
TMY 315	TMY 315 Zn	315	415



**Accessories**

